

FEEDBACK

VOLUME 52 ISSUE 4

APRIL 2007

MASSILLON AMATEUR RADIO CLUB OFFICERS

PRESIDENT

Ralph Bugg
K8HSQ

VICE PRESIDENT

Scott McCamish
N3JJT

SECRETARY

Dan Anastas
N8DZM

TREASURER

Anne Ballinger
N8GAF



Contents

Secretary's Report -----	2
N8ATZ Column -----	3
Peanut Code Osc-----	4
Upcoming Club events-----	5
Safety Break wrapup -----	6
Straight Key Club -----	6
Interesting Article & -----	7
E-Mail alert	
Schematic -----	8
Calendar by K8INN -----	9

--- SHORT SKIP ---



April showers bring May's flowers. At the first sign of a storm it's a good idea to disconnect everything, antennas and power cords as well. There's an old saying that lightning never strikes twice at the same place because after a direct hit ain't nothing left ! (HI)

73 de WB80WM

APRIL MEETING

The meeting for the month of April will be held at the Massillon Senior Center on April 6th 2007 at 8:00 PM.

The discussion will be the big "surprise" Safety Break that club members held the weekend of March 16, 17, and 18th. Club members who participated are to be commended for stepping in and volunteering at this "last minute" event. A VERY SPECIAL thanks goes out to Don, W8DEF who lent his van so that members could stay out of the very cold weather and keep warm. It was a very good idea and worked well although there was not much room in the tent, but really worked out and kept everyone from freezing . Thanks Don !

APRIL PROGRAM NOTICE

The program for the month of April will be a real treat for everyone who attends the meeting. Our Vice President Scott, N3JJT has booked none other than Mel Vye W8MV. Mell has just returned from his last DXpedition to Peter 1 Island, 3Y0X, last February, 2006. He will show us video and will give a brief description of some of the hardships they had to endure to put on this the most sought after DXpedition in recent years. This Island has been number one for many a DXers list for a number of years.

This presentation will very interesting for both DXers and Non-DXers alike Please read Mel's biography on page 4 in this edition of Feedback.

MARC MINUTES

March 2nd, 2007

The Massillon Amateur Radio Club meeting was held at the Massillon Senior Center with 32 members and guests present. MARC Vice-President Scott N3JJT opened the meeting at 8:00 P.M. Our President Ralph was missing. The Pledge of Allegiance was given and a round of introductions was made.

The January minutes were accepted as stated in the FEEDBACK with no changes or additions. Byron KF8UN made the motion and Jim WA8GXM seconded it.

MARC Treasurer Anne N8GAF gave the financial report.

Vice President Scott N3JJT gave the correspondence report. He had the usual newsletters from other Amateur Radio Clubs.

Committees

Classes – Lots of interest in the classes. Tech class will start on March 5th 7pm – 9pm for 8 weeks each Monday. There also is a code class on Fridays 7pm – 9pm.

Grant – Our Grant to the Stark Community Foundation was declined. If you would like to be on the next grant committee let Dan N8DZM know. So far Igor K8INN is on the committee.

Old Business

We need more volunteers to be Net Control for the West Stark Information Net.

More discussion about the inference on the .18 repeater.

New Business

There was a very successful VE test session with 22 out of 24 passing their tests. Including four club members.

Skywarn training will be March 21st at Stark State. Their will also be an on air drill at 9:50 am mar 18th.

March 31st will be a state wide ARES conference in Columbus.

Don W8DEF has the FEMA classes on a CD. See him for a copy if you need one.

Motion made by Gary WC8W and seconded by Byron KF8UN and approved to use the ECOMM Trailer at Massillon Christian School activity the Saturday after Field Day.

50/50 was won by Dan N8DZM for \$20.

Mike WA8MKH gave a very nice PSK31 presentation on its use and setup. He also donated an ARRL Handbook to the club's library.

Minutes by Dan N8DZM

... Public Service News ...

A special thanks to everyone who attended our annual Skywarn Training Conference on Wednesday, March 21st. Attendance was the largest ever with nearly 200 taking the training including nearly 100 new Skywarn Spotters registered. Look for a full report on the WD8AYE.ORG ARES website soon.

April will start our first public service event of the year with the MS Walk on Saturday, April 28th. This years event will be handled similar to last year with the club's EComm Trailer stationed at the Massillon Recreation Center in downtown Massillon. Walkers will again use the TowPath Bike & Hike Trail and we will assist with communications and safety.

We would like to have about 6 to 10 volunteers from 8:00 AM until about Noon to 1 PM. We will have a signup sheet at the club meeting. Not only is this a nice event that gives the club local exposure, Outback Steakhouse should be there and offers terrific chicken or steak salads to all volunteers !

We have also been contacted by the Summit County ARES requesting assistance with a large scale public service event scheduled for Sunday, June 10th in Akron. The Diabetes Tour de Cure Bicycle Ride handled by the Summit ARES is requesting additional operators to provide support communications during the event. A two meter HT and/or mobile is all that will be needed.

During last years Hall of Fame Timken Grand Parade many Summit ARES members provided communications assistance for us when we ran short of volunteers and we would like to return the favor by providing as many operators as possible to assist with the ride in June.

This is a great way to again provide public service assistance to our community and keep your communications skills sharp. I will have more information on this event in the future but please consider helping us with this event. Take a minute and mark your calendar for Sunday, June 10th. Thanks.

.. A Ham Map ..

Where are all the US Hams located ? Ohio has one of the largest Ham populations in the entire country. Don't believe me ? Check out a very cool map from Ham Call that shows a graphic picture of the Ham population across the entire United States. The internet site is located at <http://www.hamcall.net/maillinglists.html>. Have a look.

.. FEMA Training ..

Since I brought this up several months ago several of you have completed the FEMA ICS-100 Introductory course as well as several others. Congratulations and Thank You for moving forward and obtaining this valuable training. Please let me know by email or phone call when you complete a course so that I can note it in your ARES permanent training record. I may also need a copy of your Certificate to include with your record.

I would still like to sponsor a FEMA Class at the MARC if I can work out the logistics and come up with some condensed trailing materials so that we can do it in a single evening. My work schedule is a bit busy lately and I have not been able to spend any time on it but it is still on my agenda to complete before Summer arrives and we are all busy with outside chores in the evenings. Hopefully I will have an update ready for the next club meeting.

.. Club Roster ..

Gary has completed the club roster for 2007 and I have placed it on the club website. Try as we may, we always end up with old information, wrong address or emails, etc. Please have a look at the Roster Page and let me know if anything is incorrect. I will fix it up and send you a reply.

If you don't see your name listed it probably means you forgot to renew your membership with us this year. The grace period expired March 31st and those not renewed were dropped from the membership ranks. If this happened to you, please consider renewing your membership. We have a great group that is composed of very hard working officers and membership. We enjoy your company at club meetings and really need your help with club and public service events. Renewing your membership is easy and can be done at club meetings. We would love to see you back on our roster !

**73's for now, see you at the meeting.
De Terry – N8ATZ**



Food For Thought... OR,



Cure for

the Common Code?



The PEANUT-

ONE Morse Code Oscillator

The inside reveals the speaker rim glued to the bottom of the can.

The 9 Volt battery connector is glued to the back of the speaker. The volume control is on the left, and tone control is on the right. The 555 timer circuit board is soldered to two of the tone potentiometer terminals.



The complete homebrewed Code Oscillator. Also was used to give sending tests in past VE exams.

The Cost ? Just Peanuts.
And some used and new parts.

Please note attached circuit diagram. (Diagram on page 8)

73's de Mike WA8MKH



W8MV, Mel Vye

Mr. Mel Vye, W8MV, was born in 1943. He has been licensed since 1958, first as KN8KPP, then held K8KPP, W7CIZ, KP4DFA, and W8KWH. He has been an extra class licensee since 1966. His XYL is Martha. He is a Professor Emeritus of Electronic Engineering Technology at the University of Akron, Ohio.

Mel is a very active CW operator and has worked over 40K QSO's (that's 40,000 QSO's !) from various DXpeditions including, FP/W8MV, 3A/W8MV, FM/W8MV/, FG/W8MV,TK/W8MV, FR/W8MV, 3B8/W8MV, W8MV/KH8, W8MV/VP9, VP5/W8MV, W8MV/VO2 and 3Y0X.

Mel is a member of the ARRL, QCWA, and the RSGB (Royal Society of Great Britain) . He has lived in such exotic places like China, and Puerto Rico. He has traveled to 71 DXCC entities and has operated from 25 of them.

Mel has worked as an RF engineer for Verizon, he now lives in Akron, Ohio, he also is a Professional Engineer and also does consulting as an RF engineer.

Mel was a team member of the 3Y0X Peter 1 Island DXpedition last February 2006. He is no stranger to the Massillon Amateur Radio Club as he has been here before. I personally cannot wait to see his presentation of the 3Y DXpedition. I will definitely will bring my 3Y0X QSL card for his personal autograph !

(thanks fo QRZ.Com for the picture and some of the text used in this bio.)

UPCOMING CLUB ACTIVITIES

FOX HUNTING WEEKEND

CQ Amateur Radio Magazine has designated May 12 - 13 as the "CQ Worldwide Foxhunting Weekend" (CQ WW FW), and is encouraging ham operators and radio clubs to conduct hidden transmitter hunts at that time. This is not a formal contest and there are not any rules. CQ Magazine has designated this weekend just to promote the Amateur Radio sport of Fox Hunting. They encourage stories and pictures to be sent in for possible publication.

Time for our little Fox transmitter to come out of hibernation. The first Fox Hunt will take place on this weekend. Lets try and make this a big one with lots of pictures to send in to CQ. More details will be given later as to what time and place. In the meantime get your direction finding gear ready. For more information on Fox Hunting, try this wonderful website: www.Homingin.com.

All are welcome and encouraged to participate. You do not have to be in the MARC club or even licensed as you are just receiving. All that is really needed is an HT! Many of us has had very good results just using an HT with a rubber duck antenna.

73's de Dan N8DZM

MS WALK

The first Public Service Event of the year, the MS Walk will be held on April 28th 2007. The event will start at 9:00 AM and will last approximately 4 hours. The walk will once again start at the Massillon Rec Center and they will be using the bike trail for the walk.

Jack, N8LCS will once again be the liaison person between the club and the MS walk officials. They are planning a final meeting on April 11th and he will let us know more after the meeting. Since Jack missed last month's meeting, he did not get a sign up sheet distributed, and because of work he will miss the April meeting as well.

Terry N8ATZ will be passing around the sign up sheet at next month's meeting. We will need at least 6 to 10 people to help with the event, which usually include a nice box lunch!

To volunteer for the event just sign the sign up sheet at the meeting or e-mail Jack at wadejack@sssnet.com. If that don't work you could always call him on the 'ole twisted pair at 330/837-3826.

See you then ! de Jack N8LCS

(Ed note: this letter was e-mailed to Wade, WD8MIU,)

HAM'S NEEDED !!!!!!!!!!!!!!!

HI WADE

I AM LOOKING FOR HAM'S FOR THIS YEAR'S TOURE DE CURE——BIKE RIDE, WHICH IS GOING TO START @THE BLOSSOM MUSIC CENTER IN THE NATIONAL PARK ON 6/10/07——SUNDAY @ 7 A.M. THIS MESSAGE IS BEING SENT TO 3 DIFFERENT GROUP'S ——AKRON,CANTON,PORTAGE GROUP WILL GO TO THE 3/25/07 FREE LUNCH @ OUTBACK STEAK HOUSE IN MONTROSE — CALL FOR DIRECTION'S!!!!!!!!!!!!!!

I AM GOING TO NEED ABOUT 45-50——I HAVE 20 NOW——SO PLEASE CONTACT ME DIRECTLY @ kc8rks@yahoo.com

I NEED THE FOLLOWING INFO:

NAME

ADDRESS

CALL SIGN

E-MAIL

SHIRT SIZE

BRUCE BROWN <kc8rks@yahoo.com>
03/19/2007 08:22 PM



MARC - Up to any Challenge!

Thanks to the sometimes odd beneficence of the Ohio Department of Transportation, we were awarded two Safety Break fund raisers this year. They mailed the notices out three weeks ago and gave us the first one! One week notice!

Naturally we don't appreciate short notices considering the preparation that goes into setting things up. But, amid some grumbings, we put together our first "winter" outing within a few days, and were ready to go. Thanks to Don, W8DEF for his idea and "available" minivan, we produced a "hybrid" setup consisting of the van (for staying warm and holding accessories) which was then parked UNDER the tent!

This goes to show ODOT (and ourselves) that we can do anything in unbelievably short order! As with emergency duties we are truly an almost "first responder" when it is necessary. And all this is due to the "can do" attitude that our members possess. To add to this picture we must also realize this was done without having a club meeting to announce it. President Ralph, K8HSQ, did most of the calling by LandLine and I bet some of you were surprised to hear a NEW voice on the other end of the recruiting call!

Many thanks to:

Steve - KD8ACF 6 hour shift
 Ralph - K8HSQ 6 hour shift
 Jim - WA8GXM 6 hour shift
 Dan - N8DZM 6 hour shift
 Wade - WD8MIU 6 hour shift
 Jerry - KF8EB 6 hour shift
 Jason - KC9LIN 6 hour shift
 Terry - N8ATZ 6 hour shift
 Anne - N8GAF 6 hour shift
 Rodger- KA8FTS 6 hour shift
 Gene - W8KXR 6 hour shift
 Bob - K8MGC 6 hour shift
 Scott - N3JJT 6 hour shift
 Igor - K8INN 6 hour shift
 Charlie KB8STV 6 hour shift
 Gary - WC8W 6 hour shift
 Stan - WA8NZE 6 hour shift
 Shelby- N8XEO 6 hour shift
 Don - W8DEF First shift/Last shift
 Perry - W8AU First shift/Last shift
 Linda - K8MOO Cookie Baker and
 ALL spouses of the above who baked cookies
 and brownies.

This proves to ODOT that we are willing and able plus deserving of the second assignment they gave us:

THE JULY 4TH WEEK! (Yes, WEEK) This will surely help out our budget that was pared down due to the dwindling balance in our treasury. We couldn't have asked for a

better assignment!

Please plan ahead to participate in this great fund-raiser. And, pat yourself on the back for the successful winter operation we just concluded (March 16-18).

-W8AU-

STRAIGHT KEY CENTURY CLUB



The Straight Key Century Club - a/k/a SKCC is the fastest growing group of straight key, morse code operators and enthusiasts in the world. First organized in January 2006 membership has rapidly grown to include thousands of operators from around the globe.

How It Works

- a.. SKCC is open to any interested licensed radio amateur;
- b.. Membership is free, there are no dues (and it shall stay that way as long as practical);
- c.. SKCC numbers are issued for life. Once you get it, it's yours;
- d.. Take care of it, and above all, USE it!

The first day of the month, at 0000hrs Zulu, is designated as a monthly operating event that allows SKCC members or non-SKCC members to work each other for credit. Contact 100 SKCC members and qualify for a certificate of accomplishment!

Where To Find SKCC Members

SKCC operators use the following frequencies: 1.820, 3.550, 3.530, 7.055, 7.120, 10.120, 14.048, 18.080, 21.120, 24.910, 28.170, 50.090 and 144.070. All frequencies are in Mhz.

Note For New Subscribers

Once you've subscribed, please take a moment to introduce yourself and tell us some things about you. This helps us ensure your account is working properly and gives members an opportunity to welcome you into the group.

Above all, enjoy your membership. You'll find lots of very talented and experienced morse code operators willing to answer questions or help you get started with the fascinating world of radio telegraph keying and operation.

Welcome and enjoy!

(Thanks to Rick K8RIC for submitting both these articles)

Want to know what is going to change this old mode of communication.

High-Frequency Gravitational Waves

High-Frequency Gravitational Waves (HFGW) are ripples in fabric of space-time at frequencies greater than 100kHz that offer promising new potential for a variety of communications and propulsion technologies. This 14-page update for 2007 provides a comprehensive list of 198 scientific references supporting HFGW research.

The successful generation High-Frequency Gravitational Waves could be even more important than Marconi's development of the Radio Telegraph, and would almost guarantee a Nobel Prize for whoever accomplishes the first experiment. For instance, HFGW facilitates a new type of wireless communications for both broadcast and multicast transmission through all material things - the ultimate wireless system. This would enable HFGW transmissions to propagate directly through the Earth from New York to Beijing, China without the need for fiber optic cables, microwave relays, or satellite transponders, without the need for antennas, cables, or phone lines.

Photo & Detector Schematic

A rare glimpse at the Chinese High-Frequency Gravitational Wave detector apparatus at the Shanghai Institute of Optics and Fine Mechanics (SIOM). The detector setup shown in this picture uses a stainless steel and titanium vacuum/cryogenic vessel and associated Faraday Cage to hopefully detect gravitational waves over for frequencies greater than

100kHz.

Also, examine the associated cutaway schematic for the Chinese HFGW detector, showing the layout of the components in use by the Chinese research team. High-Frequency Gravitational Waves as "ripples in the Einsteinian fabric of space/time" that offer the potential for new methods of communications and propulsion as supported by General Relativity Theory.

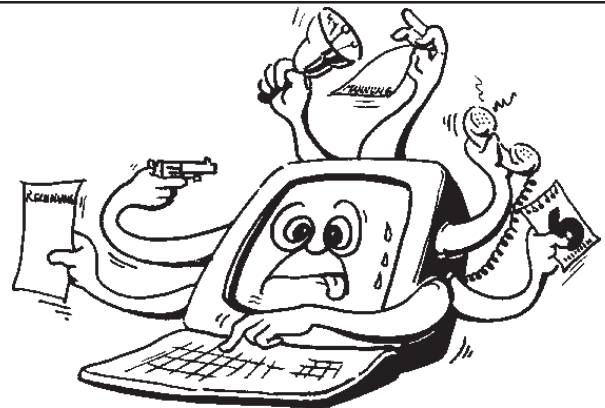
<http://archive.ncsa.uiuc.edu/Cyberia/NumRel/GenRelativity.html>

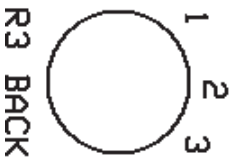
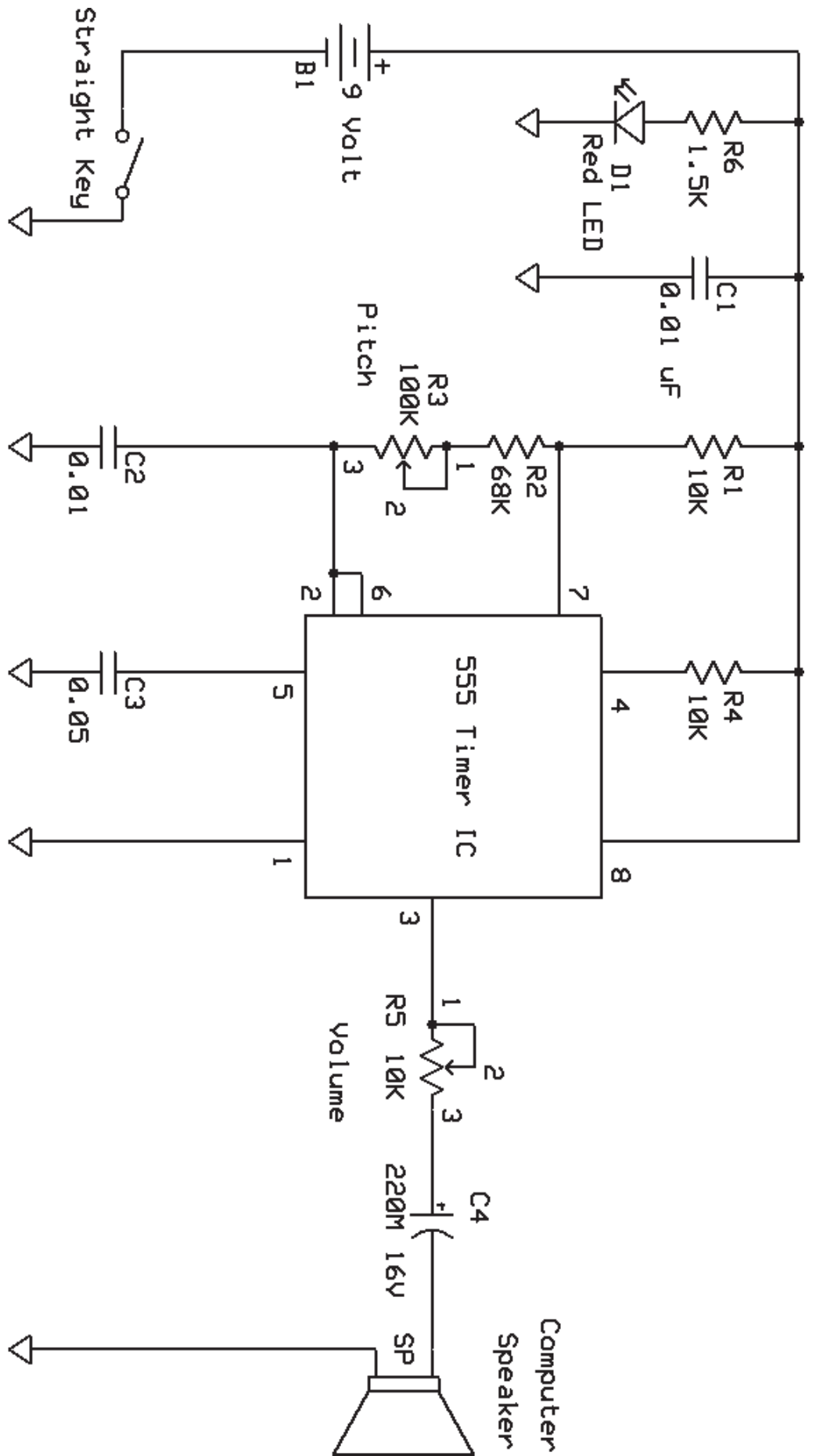
FROM THE ARRL LETTER

The ARRL Letter Vol. 26, No. 13 March 30, 2007

* Do not follow instructions in bogus e-mails: The ARRL is alerting members—and especially users of the ARRL E-Mail Forwarding Service

<<http://www.arrl.org/members-only/email fwd.html>> — about bogus e-mails that claim to be from the "arrl.net user support team." There is no such entity, and the messages do not originate with ARRL but appear to be coming from outside the US. Recipients should not follow the instructions in the e-mail, which reads, "We have received reports that your e-mail account has been used to send a large amount of unsolicited commercial email messages during this week. We suspect that your computer had been infected by a recent virus and now contains a hidden proxy server. We recommend you to follow our instructions in order to keep your computer safe." Following the instructions will have the opposite effect, however, infecting your computer with the MyDoom Trojan worm and making it part of a spamming network. The League urges all members to invest in and use anti-virus software.





April 2007

W8NP Monthly Planner

Sunday	Monday	Tuesday	Wednesday	Thursday	Friday	Saturday																																																																																				
<p style="color: #800080; font-size: 1.2em; margin: 0;"><i>1</i></p> <p style="color: #800000; font-weight: bold; margin: 0;">April Fool's Day</p> <p>Massillon Radio Net - 3599.5 @ 1930</p>	<p style="color: #800080; font-size: 1.2em; margin: 0;"><i>2</i></p>	<p style="color: #800080; font-size: 1.2em; margin: 0;"><i>3</i></p> <p>Massillon Radio Net - 3599.5 @ 1930</p> <p>Stark County ARES Net on 147.12 at 7:00 PM</p>	<p style="color: #800080; font-size: 1.2em; margin: 0;"><i>4</i></p>	<p style="color: #800080; font-size: 1.2em; margin: 0;"><i>5</i></p> <p>BD W8AU</p> <p>Massillon Radio Net - 3599.5 @ 1930</p>	<p style="color: #800080; font-size: 1.2em; margin: 0;"><i>6</i></p> <p>Massillon ARC Meeting, Massillon Senior Center, 8:00pm</p>	<p style="color: #800080; font-size: 1.2em; margin: 0;"><i>7</i></p>																																																																																				
<p style="color: #800080; font-size: 1.2em; margin: 0;"><i>8</i></p> <p>Massillon Radio Net - 3599.5 @ 1930</p>	<p style="color: #800080; font-size: 1.2em; margin: 0;"><i>9</i></p>	<p style="color: #800080; font-size: 1.2em; margin: 0;"><i>10</i></p> <p>Massillon Radio Net - 3599.5 @ 1930</p> <p>Stark County ARES Net on 147.12 at 7:00 PM</p>	<p style="color: #800080; font-size: 1.2em; margin: 0;"><i>11</i></p> <p>BD KC8QOC</p>	<p style="color: #800080; font-size: 1.2em; margin: 0;"><i>12</i></p> <p>Massillon Radio Net - 3599.5 @ 1930</p>	<p style="color: #800080; font-size: 1.2em; margin: 0;"><i>13</i></p> <p>West Stark Info Net - 147.180 at 2000</p>	<p style="color: #800080; font-size: 1.2em; margin: 0;"><i>14</i></p> <p>VE Test Session, Summit County Red Cross, Ctc: Bruce @ 330-929-2766, American Red Cross, Akron, 1400</p>																																																																																				
<p style="color: #800080; font-size: 1.2em; margin: 0;"><i>15</i></p> <p>Cuyahoga Falls ARC Hamfest Ctc: Ted, W8TTS @ 330-688-2013</p> <p>Massillon Radio Net - 3599.5 @ 1930</p>	<p style="color: #800080; font-size: 1.2em; margin: 0;"><i>16</i></p>	<p style="color: #800080; font-size: 1.2em; margin: 0;"><i>17</i></p> <p>Massillon Radio Net - 3599.5 @ 1930</p> <p>Stark County ARES Net on 147.12 at 7:00 PM</p>	<p style="color: #800080; font-size: 1.2em; margin: 0;"><i>18</i></p>	<p style="color: #800080; font-size: 1.2em; margin: 0;"><i>19</i></p> <p>Massillon Radio Net - 3599.5 @ 1930</p>	<p style="color: #800080; font-size: 1.2em; margin: 0;"><i>20</i></p> <p>West Stark Info Net - 147.180 at 2000</p>	<p style="color: #800080; font-size: 1.2em; margin: 0;"><i>21</i></p> <p>VE Test Session, Inter City ARC, 1300, Ctc: Richard Fletcher, 419-886-2463, Senior Citizen/Training Center, Mansfield</p>																																																																																				
<p style="color: #800080; font-size: 1.2em; margin: 0;"><i>22</i></p> <p>BD KC8IU BD KC8NSE</p> <p>Massillon Radio Net - 3599.5 @ 1930</p>	<p style="color: #800080; font-size: 1.2em; margin: 0;"><i>23</i></p>	<p style="color: #800080; font-size: 1.2em; margin: 0;"><i>24</i></p> <p>Massillon Radio Net - 3599.5 @ 1930</p> <p>Stark County ARES Net on 147.12 at 7:00 PM</p>	<p style="color: #800080; font-size: 1.2em; margin: 0;"><i>25</i></p>	<p style="color: #800080; font-size: 1.2em; margin: 0;"><i>26</i></p> <p>Massillon Radio Net - 3599.5 @ 1930</p>	<p style="color: #800080; font-size: 1.2em; margin: 0;"><i>27</i></p> <p>West Stark Info Net - 147.180 at 2000</p>	<p style="color: #800080; font-size: 1.2em; margin: 0;"><i>28</i></p> <p>BD K8XAF</p>																																																																																				
<p style="color: #800080; font-size: 1.2em; margin: 0;"><i>29</i></p> <p>Massillon Radio Net - 3599.5 @ 1930</p>	<p style="color: #800080; font-size: 1.2em; margin: 0;"><i>30</i></p>	<p>Upcoming Event: May 18 - 20, Dayton Hamvention!</p> <div style="display: flex; justify-content: space-around;"> <table border="1" style="border-collapse: collapse; text-align: center; font-size: 0.8em;"> <caption>Mar 2007</caption> <tr><td>S</td><td>M</td><td>T</td><td>W</td><td>T</td><td>F</td><td>S</td></tr> <tr><td></td><td></td><td></td><td></td><td>1</td><td>2</td><td>3</td></tr> <tr><td>4</td><td>5</td><td>6</td><td>7</td><td>8</td><td>9</td><td>10</td></tr> <tr><td>11</td><td>12</td><td>13</td><td>14</td><td>15</td><td>16</td><td>17</td></tr> <tr><td>18</td><td>19</td><td>20</td><td>21</td><td>22</td><td>23</td><td>24</td></tr> <tr><td>25</td><td>26</td><td>27</td><td>28</td><td>29</td><td>30</td><td>31</td></tr> </table> <table border="1" style="border-collapse: collapse; text-align: center; font-size: 0.8em;"> <caption>May 2007</caption> <tr><td>S</td><td>M</td><td>T</td><td>W</td><td>T</td><td>F</td><td>S</td></tr> <tr><td></td><td></td><td></td><td>1</td><td>2</td><td>3</td><td>4</td><td>5</td></tr> <tr><td>6</td><td>7</td><td>8</td><td>9</td><td>10</td><td>11</td><td>12</td></tr> <tr><td>13</td><td>14</td><td>15</td><td>16</td><td>17</td><td>18</td><td>19</td></tr> <tr><td>20</td><td>21</td><td>22</td><td>23</td><td>24</td><td>25</td><td>26</td></tr> <tr><td>27</td><td>28</td><td>29</td><td>30</td><td>31</td><td></td><td></td></tr> </table> </div>				S	M	T	W	T	F	S					1	2	3	4	5	6	7	8	9	10	11	12	13	14	15	16	17	18	19	20	21	22	23	24	25	26	27	28	29	30	31	S	M	T	W	T	F	S				1	2	3	4	5	6	7	8	9	10	11	12	13	14	15	16	17	18	19	20	21	22	23	24	25	26	27	28	29	30	31		
S	M	T	W	T	F	S																																																																																				
				1	2	3																																																																																				
4	5	6	7	8	9	10																																																																																				
11	12	13	14	15	16	17																																																																																				
18	19	20	21	22	23	24																																																																																				
25	26	27	28	29	30	31																																																																																				
S	M	T	W	T	F	S																																																																																				
			1	2	3	4	5																																																																																			
6	7	8	9	10	11	12																																																																																				
13	14	15	16	17	18	19																																																																																				
20	21	22	23	24	25	26																																																																																				
27	28	29	30	31																																																																																						